



PRODUCT DATASHEET

Tina2 series

last update 4/12/2014

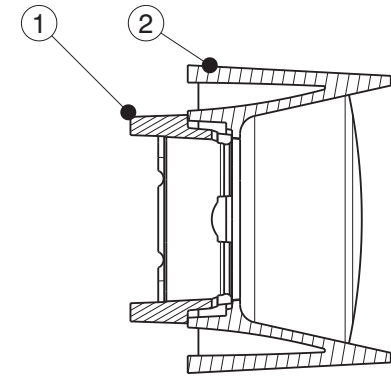
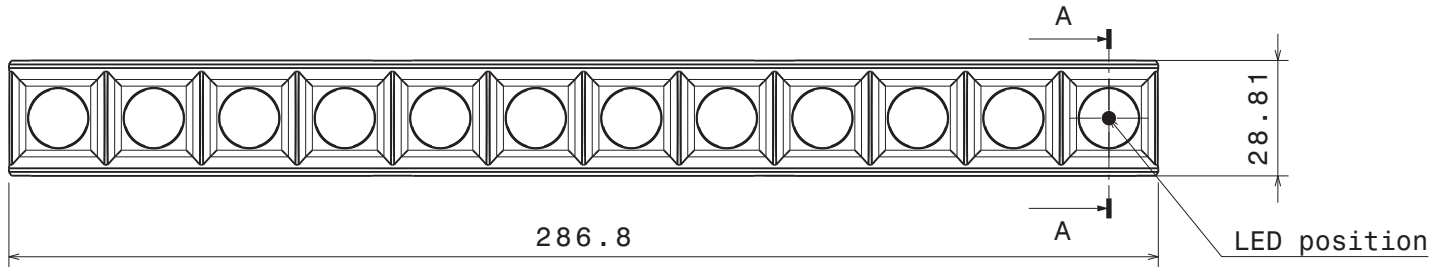
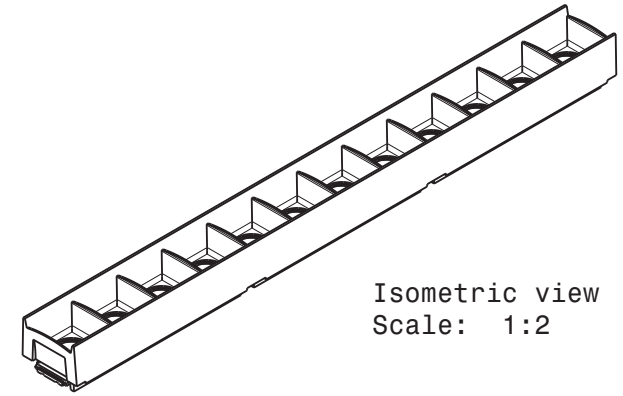
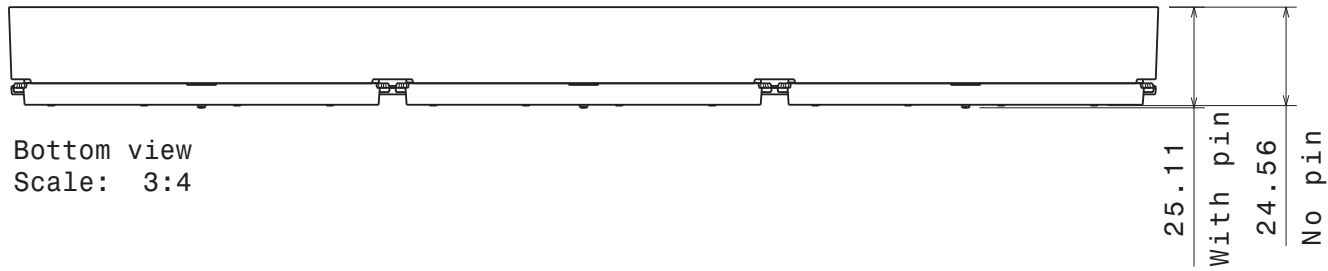
DETAILS

Product Number	CC14633_FLORENTINA
Family	Tina2
Type	Assembly
Color	black
Diameter	286.8x28.81 mm
Height	25.11 mm
Style	rectang
Optic Material	
Holder Material	PC
Fastening	
Status	ready
ROHS Compliant	Yes
Date Updated	4/12/2014

OPTICAL PROPERTIES

LED	Viewing Angle	Light Beam	Efficiency	cd/lm	Connector
Unknown	N/A deg		-	sim: 0.000	-





INDEX	PART NO	DESCRIPTION	MATERIAL	COLOUR
1	C14445	FLORENTINA-HLD	PC	black
2	C14446	FLORENTINA-SHD	PC	black

Tolerances if not otherwise shown
According to DIN ISO 2768-1
Linear measures:
up to 30mm class M, otherwise class C
According to DIN ISO 2768-2
Form and position: class L

LEDiL LediL Oy
Salorankatu 10
FIN 24240 SALO
Finland

THIRD ANGLE PROJECTION:

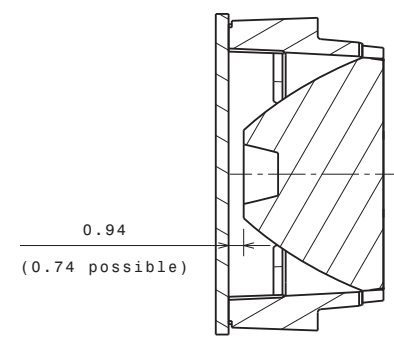
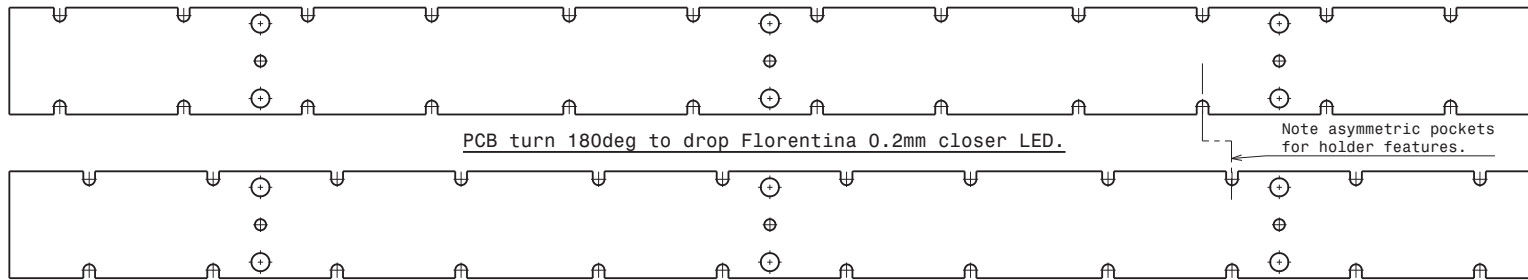
DRAWING TITLE
CC14633_FLORENTINA

This drawing is the property
of LEDiL Oy. It may not be
reproduced, copied or
communicated without a written
agreement with LEDiL Oy.

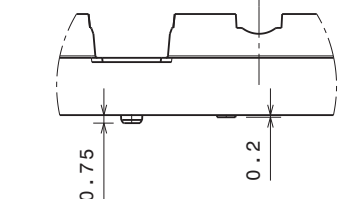
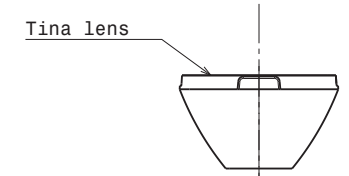
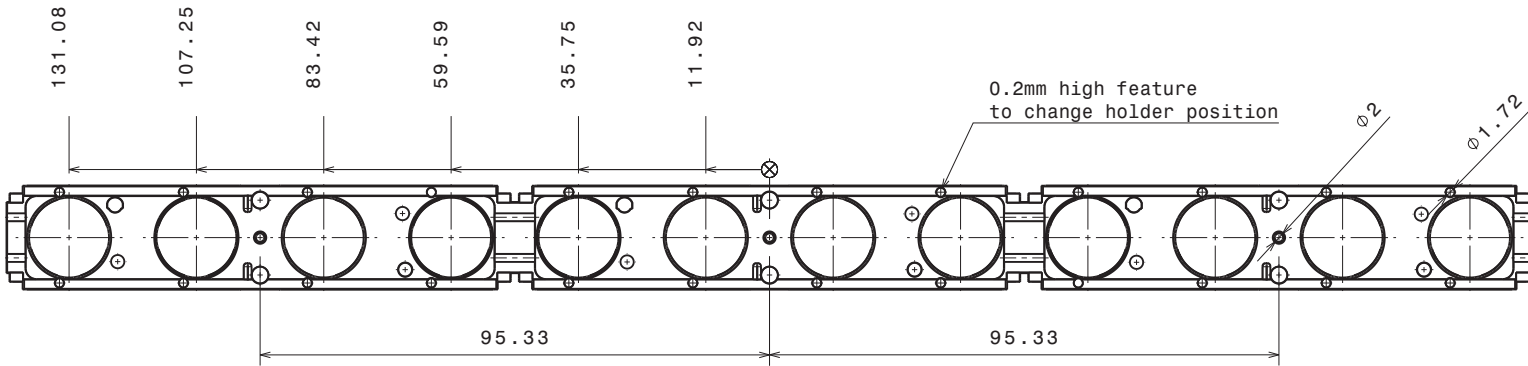
SIZE	PART NUMBER
A3	CC14633

SCALE	2:3	WEIGHT	56 g	SHEET	1/1
-------	-----	--------	------	-------	-----

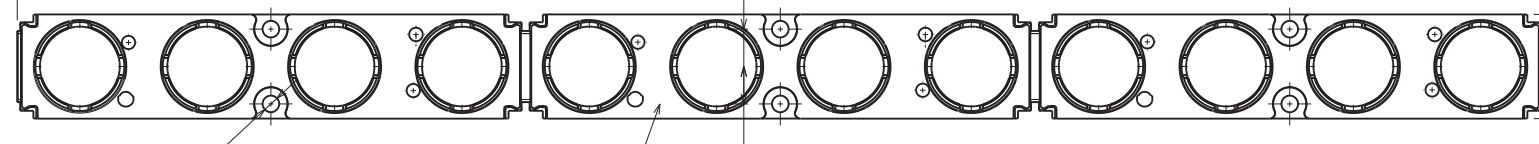
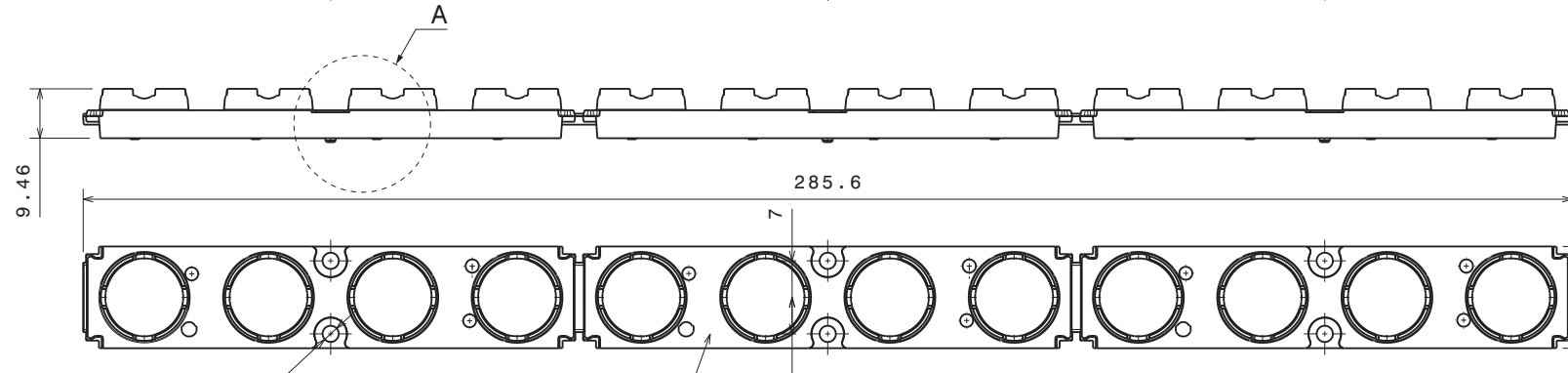
H G F E D C B A



Section Lens assembled
Scale: 3:1



Detail A
Scale: 2:1



C14445_FLORENTINA-HLD

INDEX	PART NO	DESCRIPTION	MATERIAL	COLOUR
1			PC	Black

Tolerances if not otherwise shown
According to DIN ISO 2768-1
Linear measures:
Up to 30mm class M, otherwise class C.
According to DIN ISO 2768-2
Form and position: class L

LEDiL Ledil Oy
Salorankatu 10
FIN 24240 SALO
Finland

THIRD ANGLE PROJECTION:

DRAWING TITLE
Datasheet using FLORENTINA-HLD

DRAWN BY
pasi.vallevuori
CHECKED BY

DATE
17.10.2014
DATE
SIZE
A3
PART NUMBER
-
REV
001

DESIGNED BY
DATE

SCALE
1:1
WEIGHT
14,3g
SHEET
1/1

LEDiL PROPRIETARY This drawing is the property of LEDiL Oy. It may not be reproduced, copied or communicated without a written agreement with LEDiL Oy.

H G F E D C B A

NOTE: The typical divergence will be changed by different color, chip size and chip position tolerance. The typical total divergence is the full angle measured where the luminous intensity is half of the peak value.