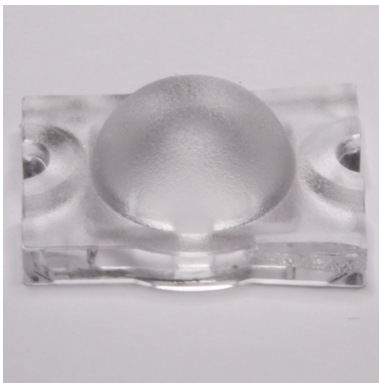


Ordering number	C10966		
Description	C10966-Strada-C-XR		
Family	Strada-C	FWHM	97 degrees
Type	Lens	Efficiency	-
LED	XR-E	cd/lm	-
Color	Transparent	Gerber File	Available
Diameter	19.6 x 15.5 mm		
Height	6.9 mm		
Style	Rectangular		
Optic Material	PMMA		
Holder Material	-		
Fastening	-		
Status	Ready		



Ordering number	CA10967		
Description	CA10967-Strada-C-XR-tape		
Family	Strada-C	FWHM	98 degrees
Type	Lens	Efficiency	93 %
LED	XR-E	cd/lm	-
Color	Transparent	Gerber File	Available
Diameter	19.6 x 15.6 mm		
Height	6.8 mm		
Style	Rectangular		
Optic Material	PMMA		
Holder Material	-		
Fastening	-		
Status	Ready		

NOTE: The typical divergence will be changed by different color, chip size and chip position tolerance. The typical total divergence is the full angle measured where the luminous intensity is half of the peak value.



PRODUCT DATASHEET Strada-C-XR series



GENERAL INFORMATION

- Product series especially designed & optimized for XR-E series of LEDs.
- Special care taken to make light distribution as uniform as possible.
- Lens material optical grade PMMA with high UV and temperature resistance (105 degrees of Celcius / 220 degrees of Fahrenheit). Allows use of high current and temperature conditions.

Please find more information about used material from below:

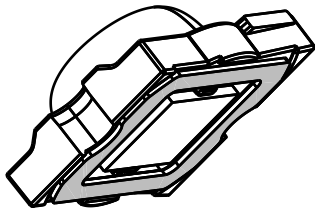
http://ledil.fi/sites/default/files/Documents/Technical/Material/PMMA%20N%20UL94_Yellow%20Card.pdf

<http://ledil.fi/sites/default/files/Documents/Technical/Material/PMMA%20N%20PLEXIGLAS-Datasheet.pdf>

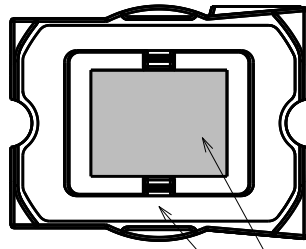
D C B A

4

4



Isometric view

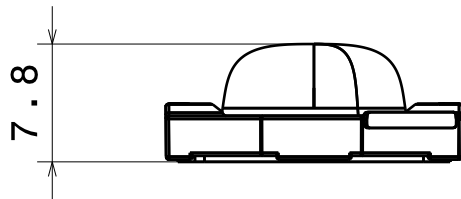


Bottom view

Led
Tape

3

3

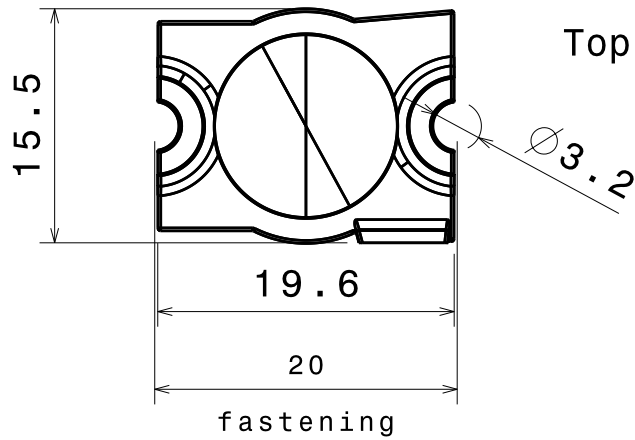


Front view

7.8

2

2



Top view

15.5

19.6

20

fastening

3.2

Material: PMMA

Part no. lens only:
C10966

This drawing is our property.
It can't be reproduced
or communicated without
our written agreement.



Ledil Oy
Tehdaskatu 13
FIN-24100 SALO
Finland

DRAWING TITLE

Datasheet Strada-C-XR Assy

DRAWN BY

DATE

pv

30.09.2009

CHECKED BY

DATE

tk

30.06.2009

DESIGNED BY

DATE

hh

30.06.2009

SIZE

A4

DRAWING NUMBER

CA10967

REV

1

SCALE

2:1

WEIGHT (g)

SHEET

1/1

1

1

D A

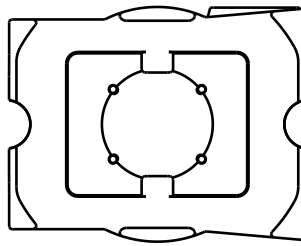
D

C

B

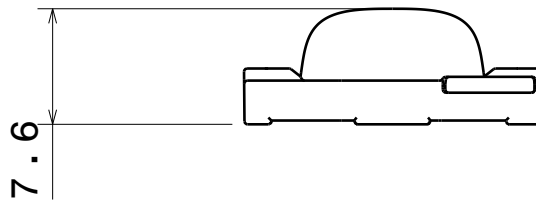
A

4



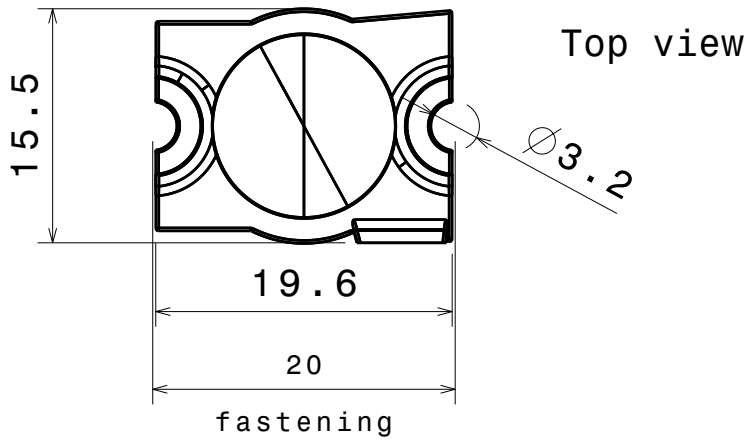
4

3



3

2



2

Material: PMMA

This drawing is our property.
It can't be reproduced
or communicated without
our written agreement.



L
T
F
F

e
e
i
i
N
n

d

h

DRAWING TITLE

Datasheet Strada-C-XR lens

1

DRAWN BY

DATE

p

30.09.2009

CHECKED BY

DATE

t

k

30.06.2009

SIZE

A4

DRAWING NUMBER

C10966

REV

1

DESIGNED BY

DATE

hh

30.06.2009

SCALE

2:1

WEIGHT (g)

SHEET

1/1

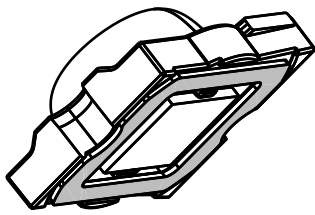
D

A

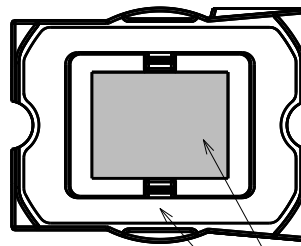
D C B A

4

4



Isometric view

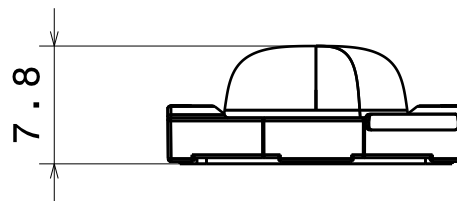


Bottom view

Led
Tape

3

3

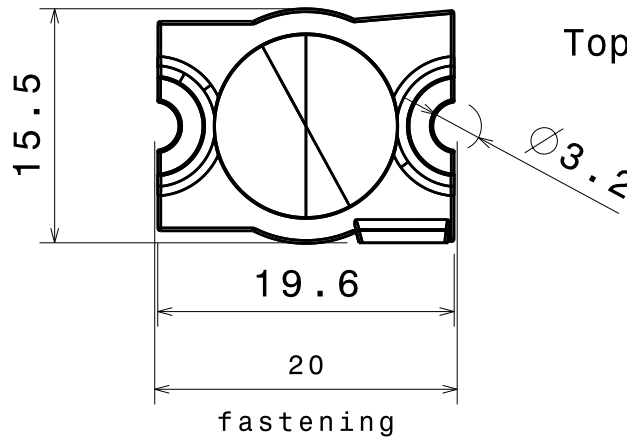


Front view

7.8

2

2



Top view

15.5

19.6

20

3.2

fastening

Material: PMMA

Part no. lens only:
C10966

This drawing is our property.
It can't be reproduced
or communicated without
our written agreement.



Ledil Oy
Tehdaskatu 13
FIN-24100 SALO
Finland

DRAWING TITLE

Datasheet Strada-C-XR Assy

DRAWN BY pv	DATE 30.09.2009
----------------	--------------------

CHECKED BY tk	DATE 30.06.2009
------------------	--------------------

DESIGNED BY hh	DATE 30.06.2009
-------------------	--------------------

SIZE A4	DRAWING NUMBER CA10967	REV 1
SCALE 2:1	WEIGHT (g)	SHEET 1/1

1

1

D A