



Ordering number	C11347		
Description	C11347_Regina-XPG		
Family	Regina	FWHM	10 degrees
Type	Reflector	Efficiency	-
LED	XP-G	cd/lm	-
Color	Metal	Gerber File	Available
Diameter	19 mm		
Height	15.3 mm		
Style	Round		
Optic Material	-		
Holder Material	-		
Fastening	-		
Status	Ready		

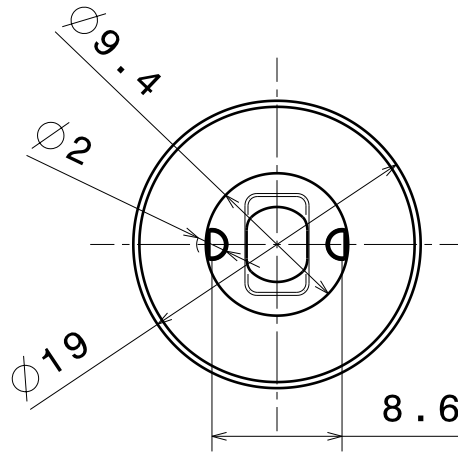
NOTE: The typical divergence will be changed by different color, chip size and chip position tolerance. The typical total divergence is the full angle measured where the luminous intensity is half of the peak value.

D C B A

4

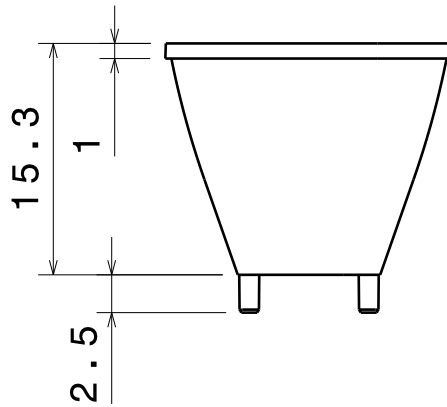


Isometric view
Scale: 1:1



Bottom view

3



Front view

2

Material: PC
with metal coating
and clear lacquer

4

3

2

This drawing is our property.
It can't be reproduced
or communicated without
our written agreement.



Ledil Oy
Tehdaskatu 13
FIN-24100 SALO
Finland

DRAWING TITLE

Datasheet Regina Reflector

DRAWN BY

pv

DATE

21.12.2009

CHECKED BY

hh

DATE

14.12.2009

SIZE

A4

DRAWING NUMBER

C11347

REV

1

DESIGNED BY

pv

DATE

19.11.2009

SCALE

2:1

WEIGHT (g)

SHEET

1/1

1

1

D

A