



Ordering number C11773
Description C11773_Venla-S-Vega

Family	Venla	FWHM	13 degrees
Type	Reflector	Efficiency	-
LED	Luxeon S	cd/lm	-
Color	Metal	Gerber File	Available
Diameter	45 mm		
Height	25 mm		
Style	Round		
Optic Material	PC		
Holder Material	-		
Fastening	Clips		
Status	Ready		

Used with Tyco connector



Ordering number CA12090
Description CA12090_Venla-S-Iris

Family	Venla	FWHM	16,5 degrees
Type	Reflector	Efficiency	-
LED	Luxeon S	cd/lm	-
Color	Transparent	Gerber File	Available
Diameter	45 mm		
Height	27 mm		
Style	Round		
Optic Material	PMMA		
Holder Material	-		
Fastening	-		
Status	Ready		



Ordering number C11775
Description C11775_Venla-M-Vega

Family	Venla	FWHM	28 degrees
Type	Reflector	Efficiency	-
LED	Luxeon S	cd/lm	-
Color	Metal	Gerber File	Available
Diameter	45 mm		
Height	25 mm		
Style	Round		
Optic Material	PC		
Holder Material	-		
Fastening	Clips		
Status	Ready		

Used with Tyco holder



Ordering number C11776
Description C11776_Venla-W-Vega

Family	Venla	FWHM	48 degrees
Type	Reflector	Efficiency	-
LED	Luxeon S	cd/lm	-
Color	Metal	Gerber File	Available
Diameter	45 mm		
Height	25 mm		
Style	Round		
Optic Material	PC		
Holder Material	-		
Fastening	Clips		
Status	Ready		

Used with Tyco holder



Ordering number	C11777		
Description	C11777_Venla-WW-Vega		
Family	Venla	FWHM	56 degrees
Type	Reflector	Efficiency	87 %
LED	Luxeon S	cd/lm	-
Color	Metal	Gerber File	Available
Diameter	45 mm		
Height	25 mm		
Style	Round		Used with Tyco connector
Optic Material	PC		
Holder Material	-		
Fastening	Clips		
Status	Ready		

NOTE: The typical divergence will be changed by different color, chip size and chip position tolerance. The typical total divergence is the full angle measured where the luminous intensity is half of the peak value.



PRODUCT DATASHEET Venla series

PHILIPS
LUMILEDS

GENERAL INFORMATION

- Product series especially designed & optimized for Luxeon S series of LEDs.
- Special care taken to make light distribution as uniform as possible.
- Lens material optical grade PMMA with high UV and temperature resistance (105 degrees of Celcius / 220 degrees of Fahrenheit). Allows use of high current and temperature conditions.

Please find more information about used material from below:

http://ledil.fi/sites/default/files/Documents/Technical/Material/PMMA%20N%20UL94_Yellow%20Card.pdf

<http://ledil.fi/sites/default/files/Documents/Technical/Material/PMMA%20N%20PLEXIGLAS-Datasheet.pdf>

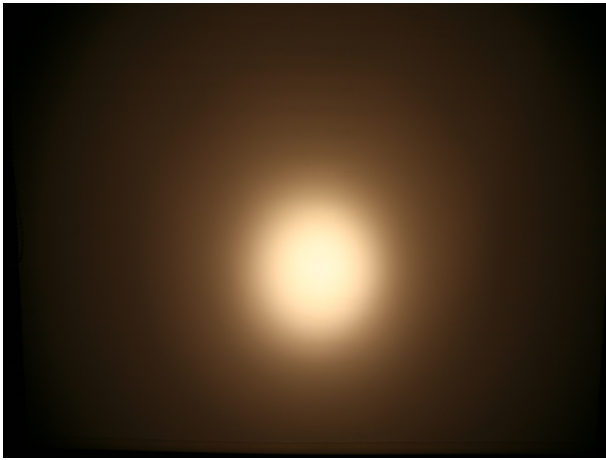
- Lens material optical grade PC with high UV and temperature resistance (120 degrees of Celcius / 248 degrees of Fahrenheit). Allows use of high current and temperature conditions.

Please find more information about used materials from below:

http://ledil.fi/sites/default/files/Documents/Technical/Material/PC%20Makrolon%202400_2407_2456_2458-UL.pdf

- Reflector is made of aluminium coated PC (120 degrees of Celcius / 248 degrees of Fahrenheit) with protective lacquer (110 degrees of Celcius / 230 degrees of Fahrenheit).

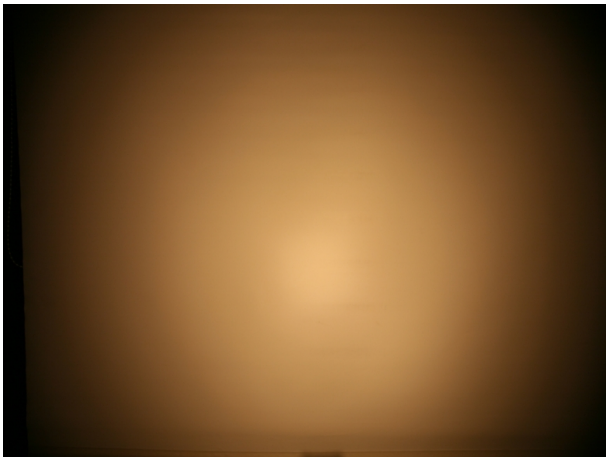
C11773



C11775



C11776



C11777



CA12090



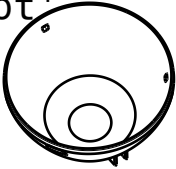
D

C

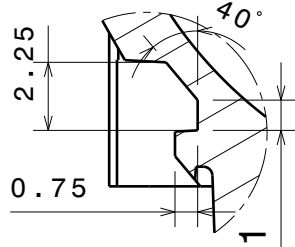
B

A

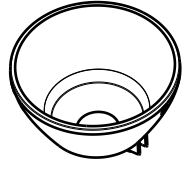
'Spot'



Note
 CA12090_Venla-S-Iris
 is Spot reflector+ lens
 inside. Color WHITE.



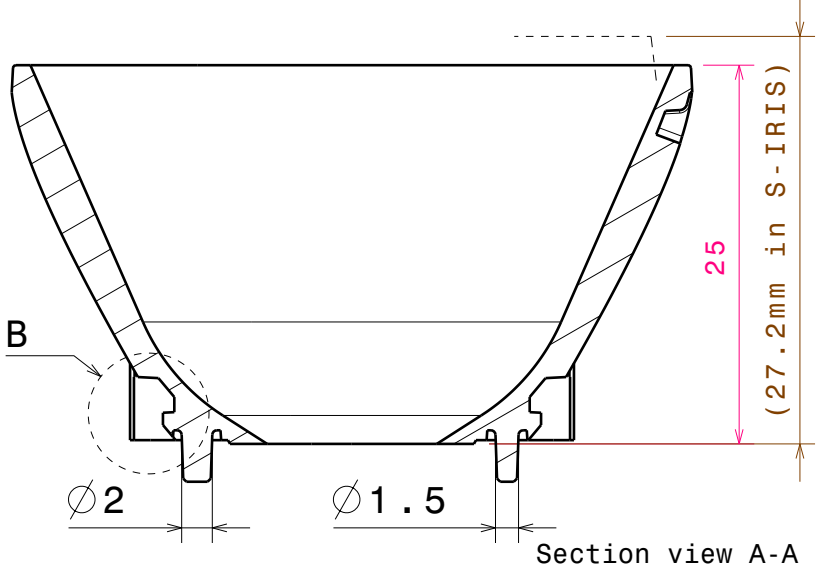
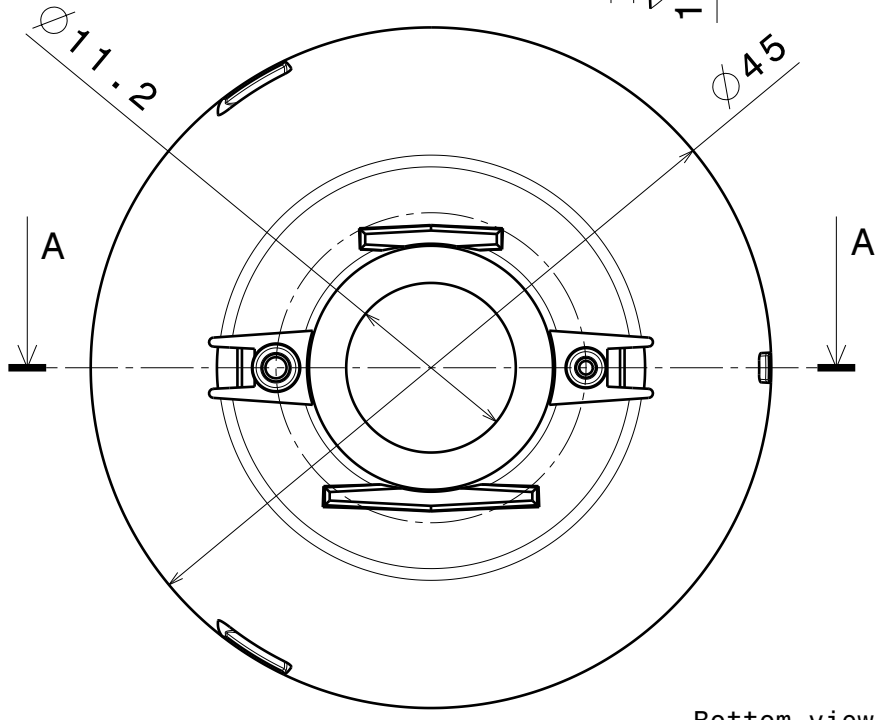
'Medium'



'Wide'



'WiderW'



Material:
 PC with metal coating
 and clear lacquer

Part no's:
 C11773_Venla-S-Vega
 C11775_Venla-M-Vega
 C11776_Venla-W-Vega
 C11777_Venla-WW-Vega
 CA12090_Venla-S-Iris

Tolerances:
 Dimensions less < 20mm +/-0.1mm
 Dimensions between (21-45)mm +/-0.2mm

This drawing is our property.
 It can't be reproduced
 or communicated without
 our written agreement.



L T F e e i n
 F i n

DRAWING TITLE

DRAWN BY
 p

DATE
 15.04.2011

Datasheet Venla-series-Vega Reflector

CHECKED BY
 t k

DATE
 27.12.2010

SIZE A4 DRAWING NUMBER - REV 1

DESIGNED BY
 hh/ol/pl

DATE
 06.10.2010

SCALE 2:1 WEIGHT (g) SHEET 1/1

D

A